

LJW1-10(W) LB-10 Current Transformer LJWD-10.35 Outdoor Oil-insulated

The technical data

1.1 the type current transformer is a kind of steel tank oil-immersed type of current and electric energy measurement and relaying protection to system with the frequency of 50Hz.

1.2 The current transformer carries out the long operation under the conditions for 20% of rated current, it is used in the fields of altitude not exceed 4000m, and max. change of ambient temperature not exceed $-25^{\circ}\text{C} + 40^{\circ}\text{C}$.

Construction

3.1 The transformer is made of single-phase oil-immersed type self-cooling type, which can be used indoors or outdoors. There are insulation and oil for cool down the transformer insalled inside the transformer. It adopts vacuum oil-filter and vacuum oiling arts.

3.2 The distance between class 10KV fuel and cover is ablut 15mm, there is an oiling valve installed above the cover, (there is an air hole on the valve) with water-proof and snow-proof cover.

3.3 There is an oil tank inside the class 35KV tube, The diaphragm inside the oil tank can make the oil be seperated from the air, which decreasea the oil oxidizing speed.

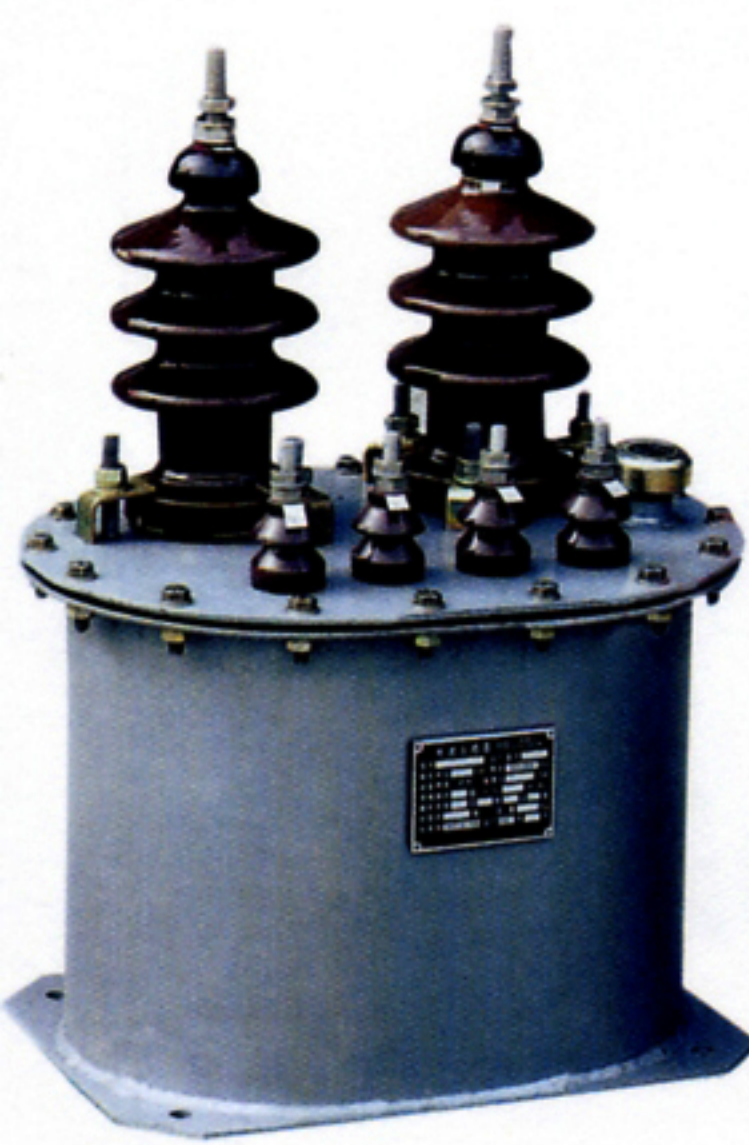
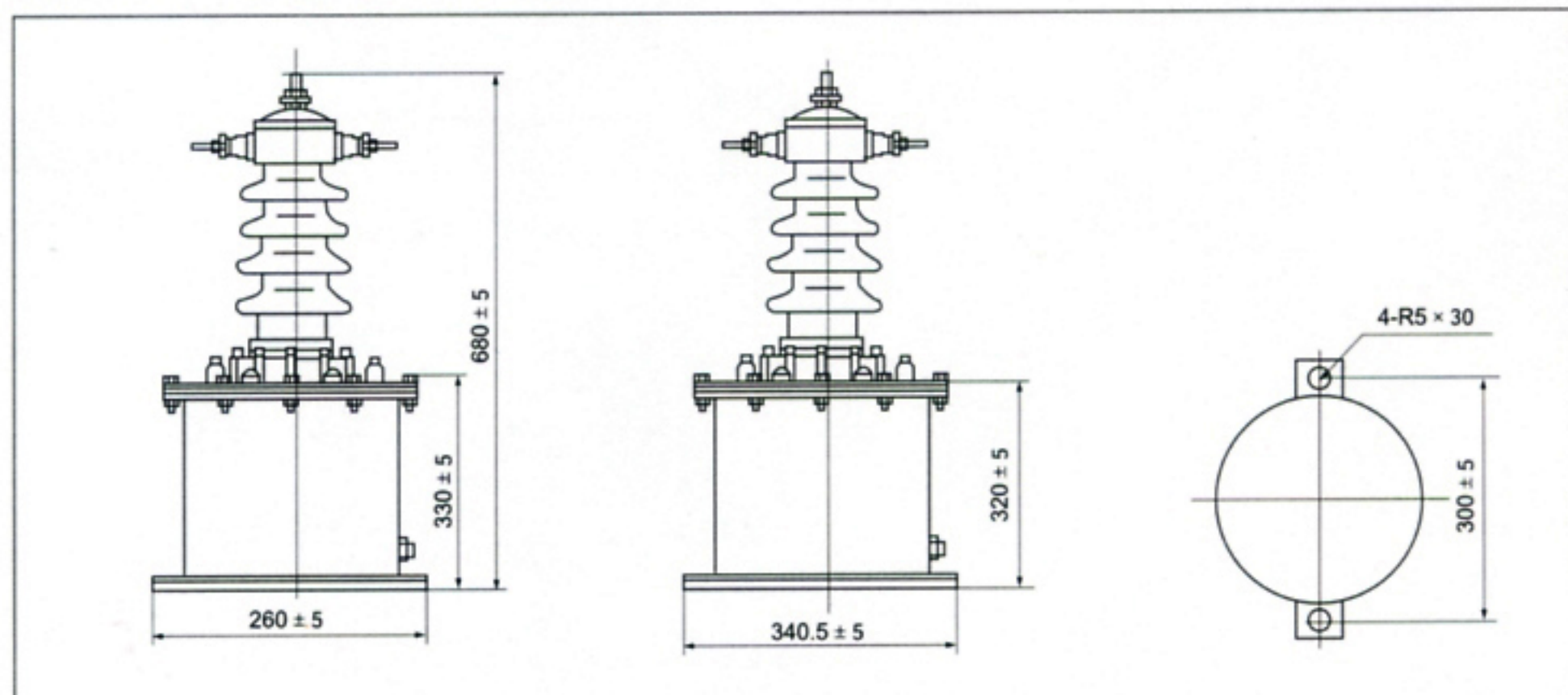
3.4 Transformer thermal stability 187.5 times.

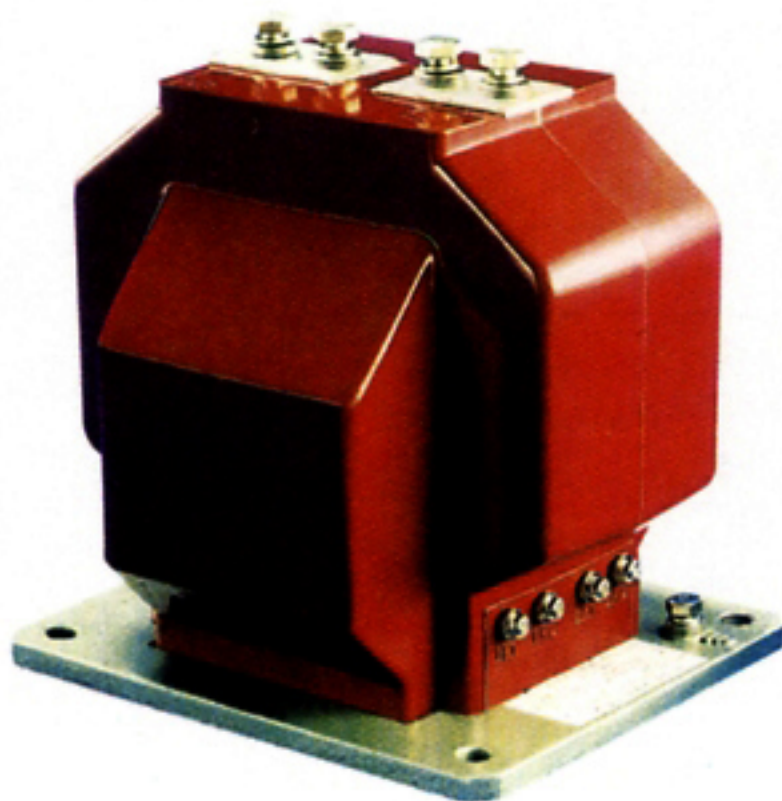
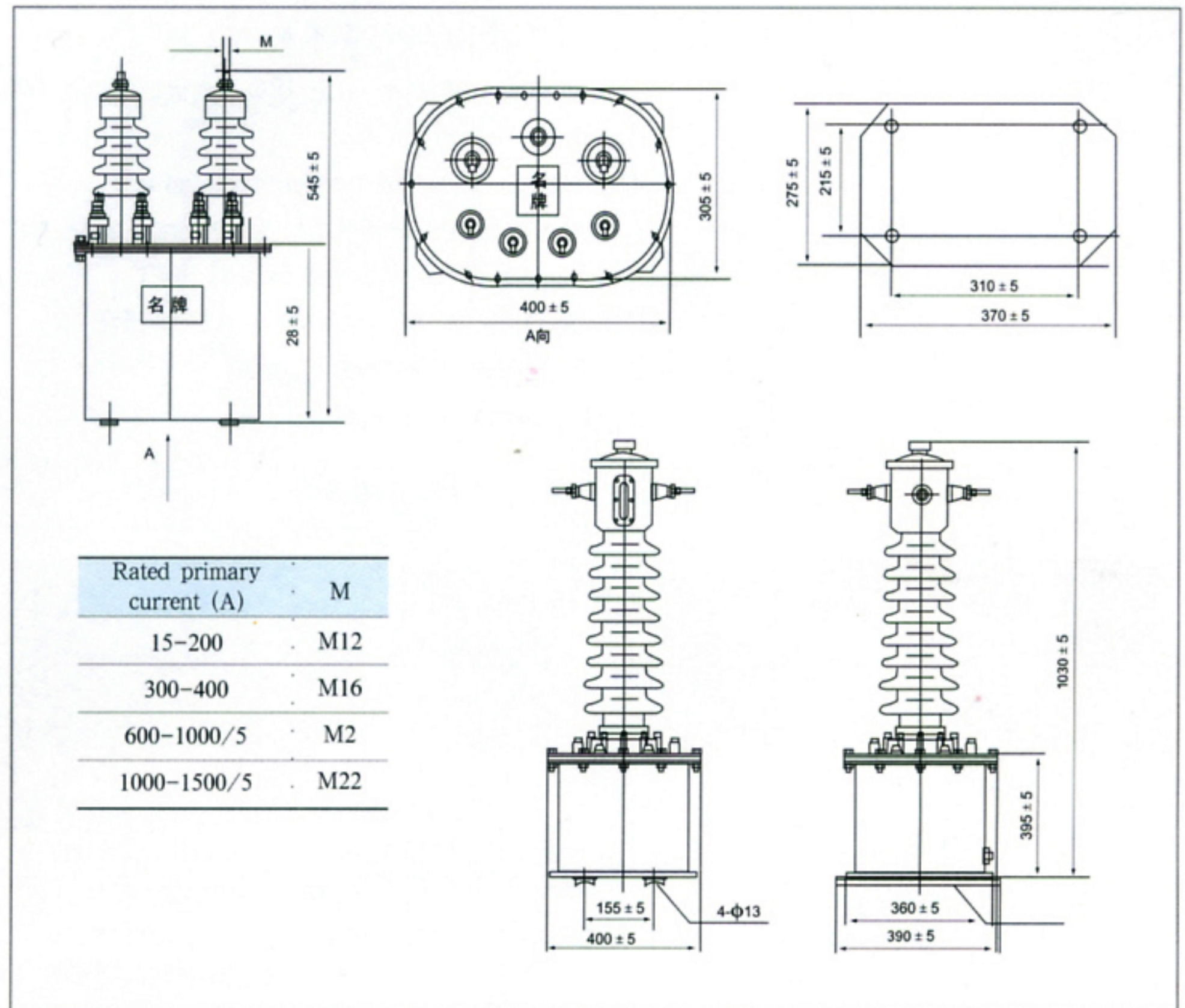
3.5 The product has four models: single-ratoin single secondary, single ratio double ratio single secondary and double ratiion double secondary. CT for measurement, it is class 0.2, CT for continuous protection control, it is class 0.2, 0.5 and 1.3(D), etc.

Technical data

Type	Voltage class (kV)	Rated current ratio (A)	Measurement class 0.2, capacity (VA)	Capacity for class 1 continuous protection	Weigh (kg)
LJW-10	10	5-400/5	10-15	Without continuous protection Without monitoing	21
LJW-35	35	5-600/5	30-(50)	Without continuous protection Without monitoing	64
LJWD-10	10	5-400/5	10-(15)	15-(30)	28
LJWD-35	35	5-600/5	30-(50)	30-(50)	63

Overall dimension





LZZJB6-10 Current Transformer LZZB6-10 LZZQB6-10 Indoor Cast Resin Insulated

Technical data

Type	Rated primary current (A)	Accuracy classes combination	Rated output (VA)	Short-time thermal current (KA/S)	Rated dynamic current (KA)
LZZB6-10	5-100	0.2/0.2	10/10	150 I _{ln}	375 I _{ln}
	150	0.2/0.5	10/10	22.5	44
LZZB6-10Q	200,300	0.5/10P10	10/15	24.5	44
	100			15	38
LZZJB6-10	150	0.2/0.2	10/10	22.5	
	200	0.2/0.5	10/10	24.5	44
LZZJB6-10Q	300	0.5/10P15	10/15		
	400,500,600			33	59
	800,1000,1200,1500			41	74
LZZQB6-10	20,30			8	20
	40	0.2/0.2	15/15	12	30
	50	0.2/0.5	15/15	16	40
	75	0.5/10P15	15/20	20	50
	100,150,200,300			31.5	80
LZZQB6-10Q	400	0.2/0.2	20/20		
	500	0.2/0.5	20/20		
	500	0.5/10P15	20/30		
	600	0.2/0.2	30/30	44.5	80
	800	0.2/0.5	30/30		
	1000-1500	0.5/10P15	30/40	63	110