

## BAK-100 Type Safety Increased, Explosion-proof Ceiling Lamp (e)



### Application

1. Can be used in Zone 2 dangerous place.
2. Can be used in II A, II B, II C group explosive atmosphere.
3. Suitable for incandescent lamp.

### Features

1. Diecasted aluminium alloy shell with plastic-sprayed surface.
2. Compact structure and aesthetic appearance.
3. Suitable for cable wiring.

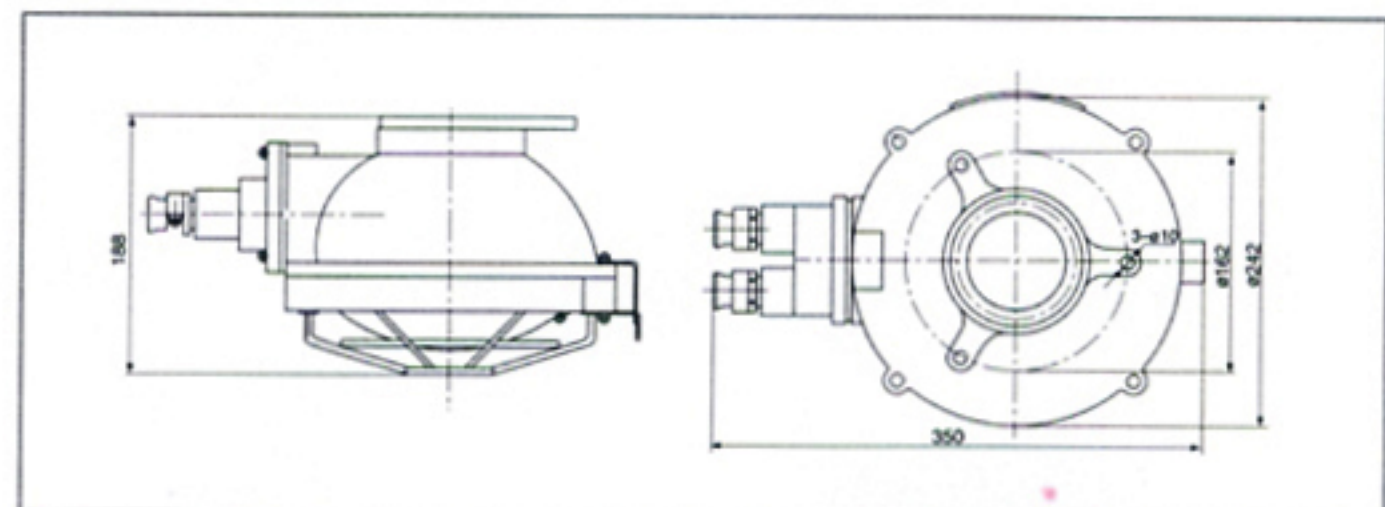
### Main technical parameters

Ex-mark	Protection grade	Cable's outside diameter (Φ, mm)	Inlet's thread (G")	Lamp socket	Mass (kg)
Exe II T3	IP65	10 ~ 14	3/4	E27	4.3

### Supplied with lamps

Lamp type	Incandescent lamp
Rated voltage (V)	220
Rated power (W)	100

### Outline and mounting example



## BAT51 Type Explosion-proof Projecting Lamp (II B, II C)



### Application

1. Can be used in Zone 1 and Zone 2 dangerous places.
2. Can be used in II A, II B group explosive atmosphere.
3. Suitable for mercury vapor lamp, high-pressure sodium vapor lamp, metal halide lamp.
4. Applicable to use in ship or petroleum platform.

\*Please note if need II C.

### Features

1. Diecasted aluminium alloy shell with plastic-sprayed surface.
2. The lamp body can be rotated 360° levelly and adjusted from +90° to -60° elevately.
3. The reflector adopts parabola mirror with chromiumplated polish, high reflectivity and even illuminance in illuminated surface.
4. With high performance of water-proofing and applicable to use in the place to illuminate that have higher protection demand, such as ship, petroleum platform, etc.
5. Suitable for cable wiring.

### Main technical parameters

Explosion-proofing marks	Protection grade	Cable's outside diameter (Φ, mm)	Inlet's thread (G")	Lamp socket
Exd II BT3	IP56	10 ~ 14	3/4	E40
*Exd II CT3				