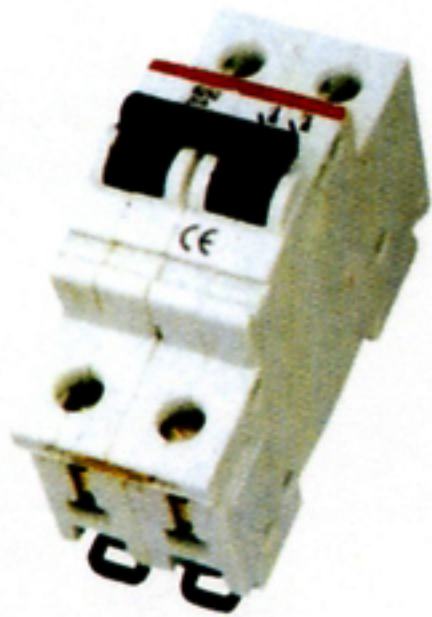




S251 1P



S252 2P



L 2A



L 6A

S250 Mini Circuit Breaking

Application

This protective-conductor mini circuit breaker has features of new structure, excellent performance, easy installation, high breaking capacity. It is mainly used for overload and short circuit protection of AC 50Hz or 60Hz, rated voltage of single pole up to 240V, rated current up to 60A and in distribution of illumination of industry, commerce and buildings.

Technical specification

Rated current (A)	Pole number (P)	Rated voltage (V)	Rated frequency (Hz)	Breaking capacity (A)
2,4,6,10,16, 20,25,32,40, 50,63	1 2, 3	240 415	50/60	6000

S101 Screw Circuit Breaking

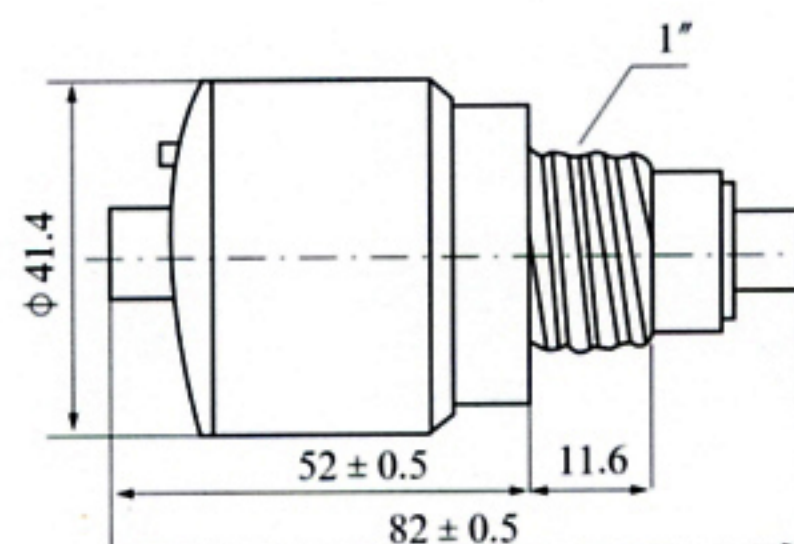
Application

The circuit breakers are suitable used in AC and DC 32A and below electric circuits of 50Hz, up to 380V and up to DC250V respectively, for protection of electrical circuits and apparatus in office and residence buildings, and for protection of circuit terminals against overload and short circuit. The item is a durable protection that substitutes the tradition fuse element and can be used in each use socket with E27 thread according to DIN 40440.

Technical specification

Rated current (A)	2-25	32
Pole number (P)	Single pole	Single pole
Rated voltage (V)	250/380	250/380
Rated short circuit making	Expected current in testing circuit (A)	3000
	Power factor for testing circuit	0.65 ~ 0.70
		3000
		0.75 ~ 0.80

Dimension (mm)



Note: the connecting thread of the circuit breaker is "1"