

ST-P Time Relay



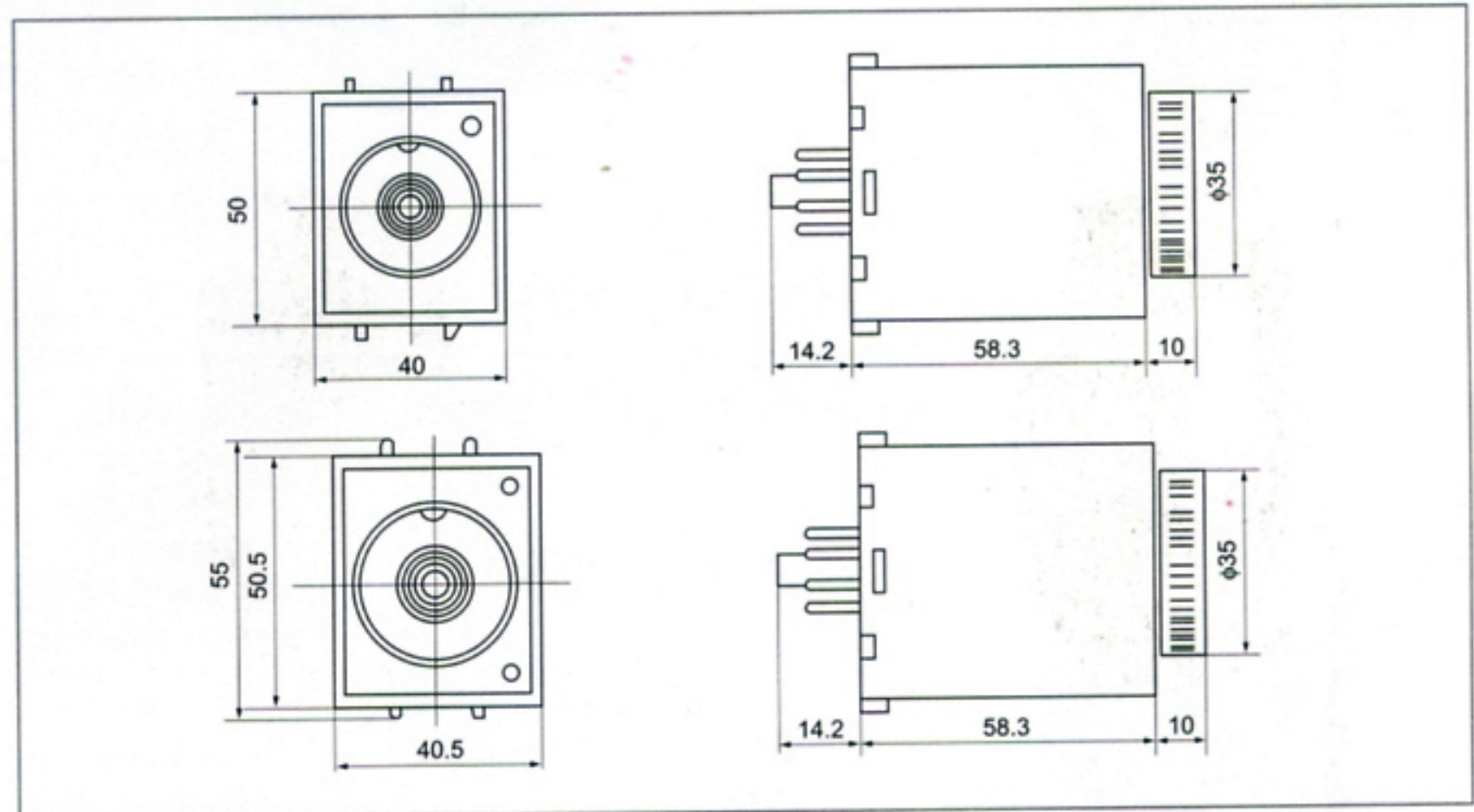
ST2P



ST3P

Application

ST-P series super time relay can be widely used in machines and equipment needing self-control of high precision and reliability. It has characteristic of small size, light weight, compact structure, high security and efficient, long life, etc.



Technical specification

Model	Contact	Operation	Timing range	Input voltage
ST3PA	Timed 2PDT	On-delay	A: 0.05-0.5S/5S/30S/3min B: 0.1-1S/10S/60S/6min C: 0.5-5S/50S/5min/30min D: 1-10S/100S/10min/60min	AC110, 220V DC24, 48, 110V
ST3PC	Timed 2PDT inst. SPDT	On-delay with inst.contact	E: 5-60S/10min/60min/6h F: 0.25-2min/20min/2h/12h G: 0.5-4min/40min/4h/24h	AC110, 220V DC24, 48, 110V
ST3PF ST3PFA	Timed 2PDT	Off-delay	0.1-1S, 0.2-2S, 0.5-5S, 1-10S, 2.5-30S, 5-60S,	AC110, 220V DC24, 48, 110V
ST3PK	Timed 2PDT	Off-delay, External contact signal	0.1-1S, 0.2-2S, 0.5-5S, 1-10S, 2.5-30S, 5-60S,	AC110, 220V DC24V
ST3PY	TIMED λ - Δ INST.1NO	λ - Δ	1-10S, 2.5-30S, 5-60S,	AC110/220V
ST3PR	Timed 2PDT	On-delay	0.5-6S/60S, 1-10S10min 2.5-30S/30min	AC110/220V DC24V
ST4P-	Timed 2PDT	Time-limit operation/self-resetting/external resetting	s min h 10h 0.05-0.5 0.5-5h	AC10/220V DC24V
ST4P-8	Timed 2PDT	Time-limit operation/self-resetting	0.1-1 1-10h	AC24V AC50V AC100-240V
ST4P-8H	On-delay With inst contact	Time-limit operation/self-resetting	0.5-5 5-50h 1-10 10-100h	DC12V DC24V DC48V DC100V DC100V DC125V
ST2P	On-delay With inst contact	On-delay with inst.contact	1S 2S 6S 12S 30S 60S 3M 6M 12M 30M ONM 3H 6H 12H 24H	