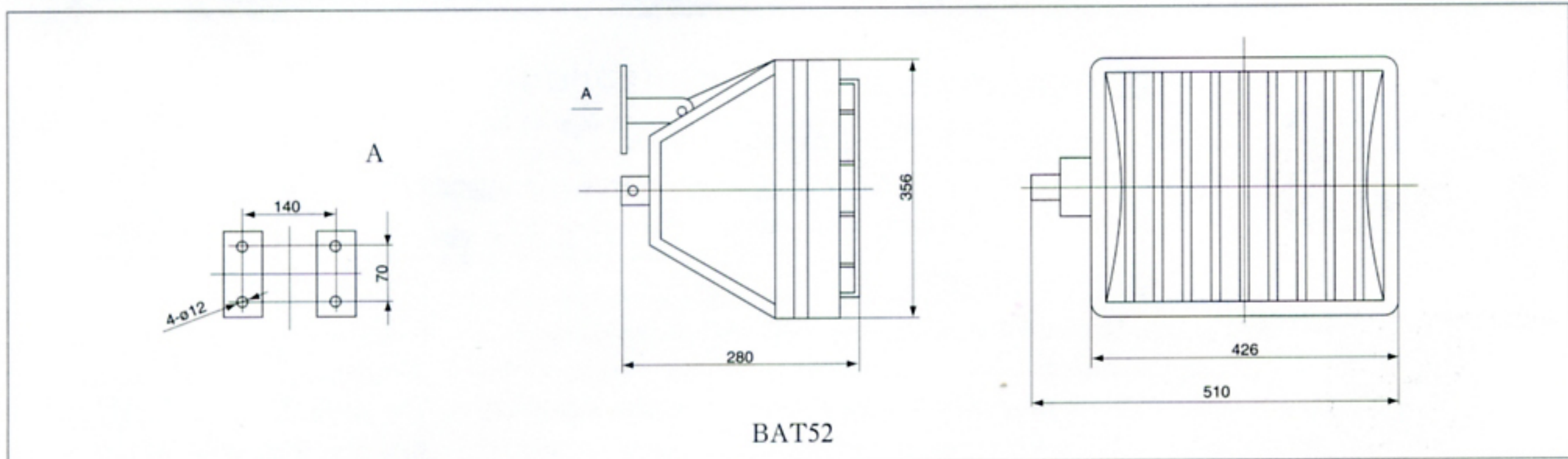


### Outline and mounting example



## BSX-60 Explosion-proof Hand Lamp ( II B)



A: Pothook type

B: Portable type

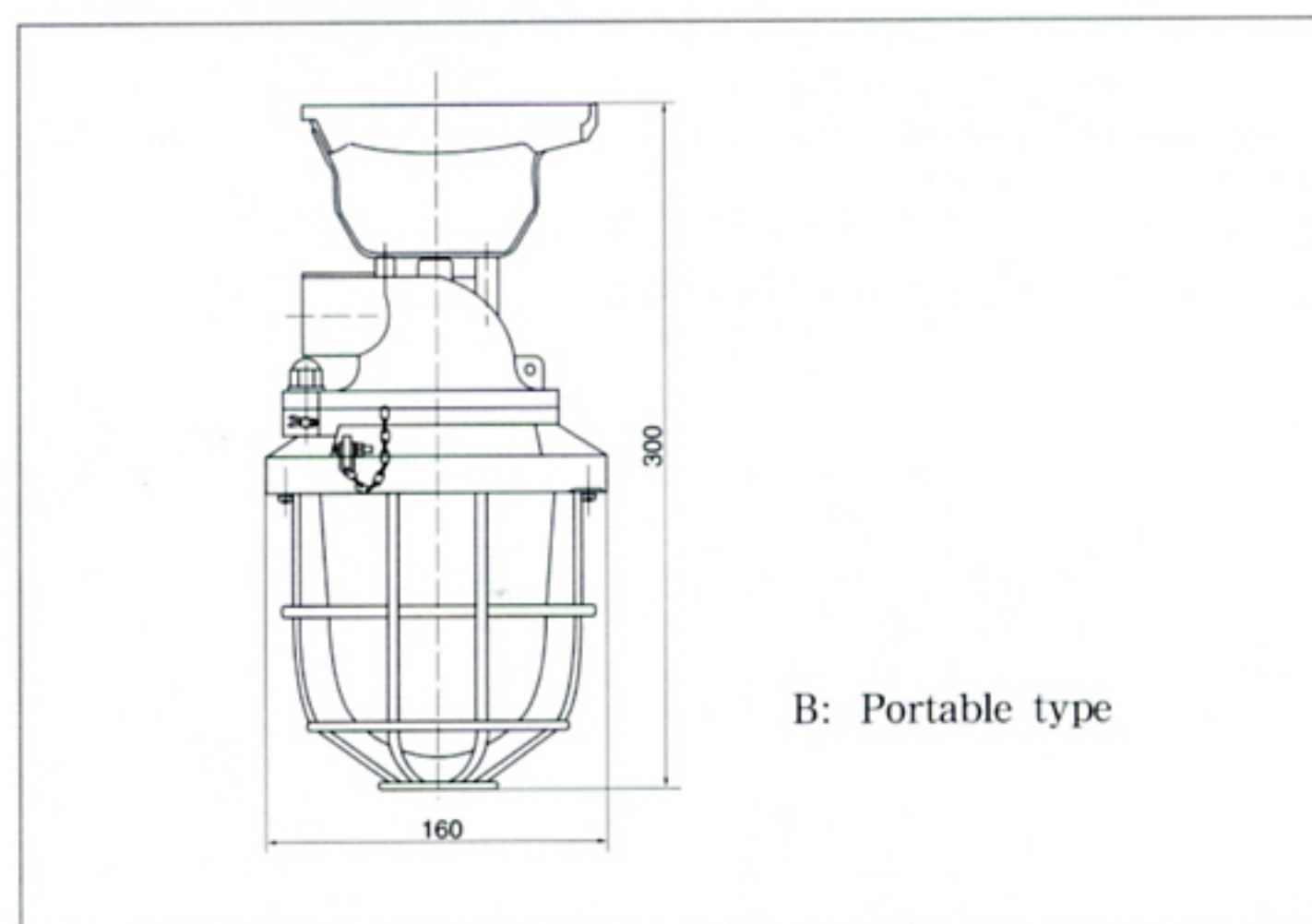
### Application

1. Can be used in Zone 1 and Zone 2 dangerous places.
2. Can be used in II A, II B group explosive atmosphere.
3. Suitable for incandescent lamp.

### Features

1. Diecasted aluminium alloy shell with plastic-sprayed surface.
2. Pressure-castee formation, compact structure and aesthetic appearance
3. Suspension type thumb nut is used for fastening so that it can be quickly opened up and is convenient for maintenance
4. Suitable for cable wiring.

### Outline and mounting example



### Supplied with lamps

Lamp type	Rated voltage (V)	Rated power (W)
Incandescent lamp	36	60

### Main technical parameters

Ex-mark	Protection grade	Cable' s outside diameter (Φ, mm)	Inlet' s thread (G" )	Lamp socket	Mass (kg)
Exd II BT4	IP54	10 ~ 14	3/4	E27	1.8