



JDZ8 Cast-resin Insulated Indoor JDZX8 Voltage Transformers UKU ABB

The technical data

- 1.1 Rated insulation level (see table 1)
- 1.2 Rated primary voltage. Rated secondary voltage. Accuracy class and rated output. Accuracy or rated output only one alternative.
- 1.3 The power factor of burden is 0.8(lagging)
- 1.4 Partial discharge level is in accordance with Gb5583-85 and IEC44-4 "Measurement of partial discharge of instrument transformer", the apparent partial discharge level will not more than 20PC.

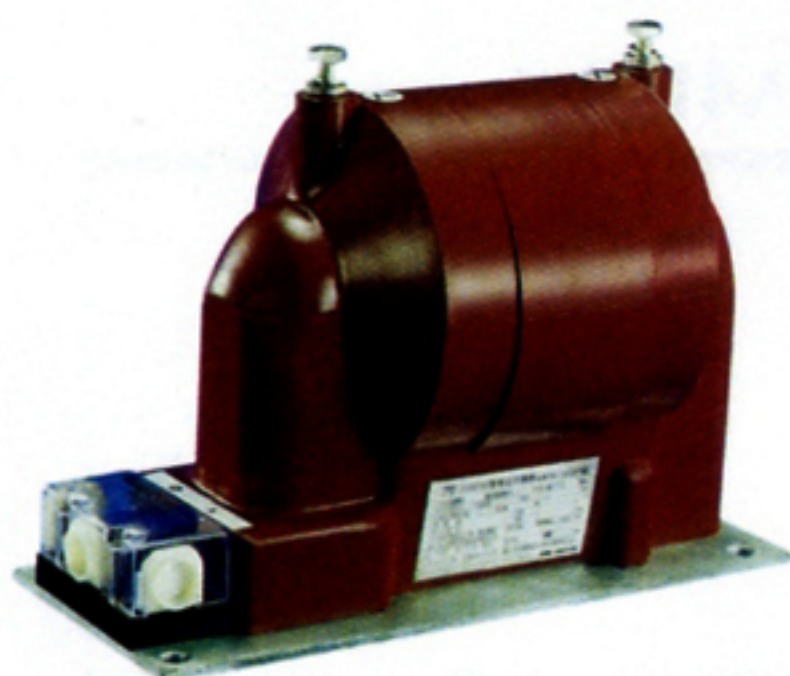


Table 1

Type	Highest operating voltage(r.m.s.) KV	Rated power frequency withstand voltage (1min.r.m.s.) KV	Rated impulse withstand voltage 1.2/50ms (peak) KV
JDZ8-3	3.5	24	40
JDZ8-6	6.9	32	60
JDZ8-10	11.5	42	75
JDZ8-35	40.5	95	200

Table 2

Type	Rated primary voltage (V)	Rated secondary voltage (V)	Accuracy and rated output (VA)				Max. Output (VA)
			0.2	0.5	1	3	
JDZ8-3	3000	100					
JDZ8-6	6000		30	80	240	600	1000
JDZ8-12	11000						
JDZ8-35	35000		60	120	360	1000	1800

Overall dimension

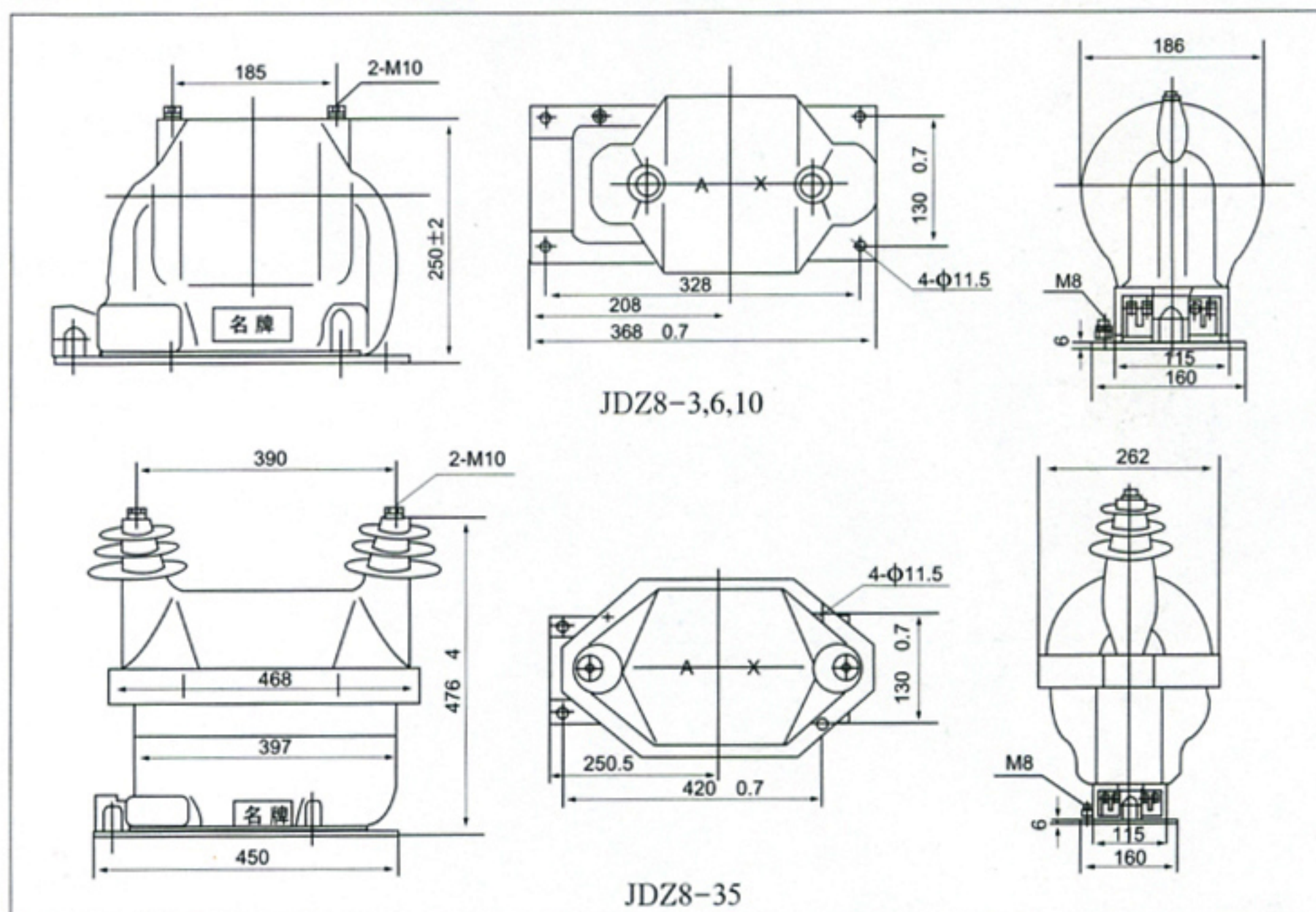


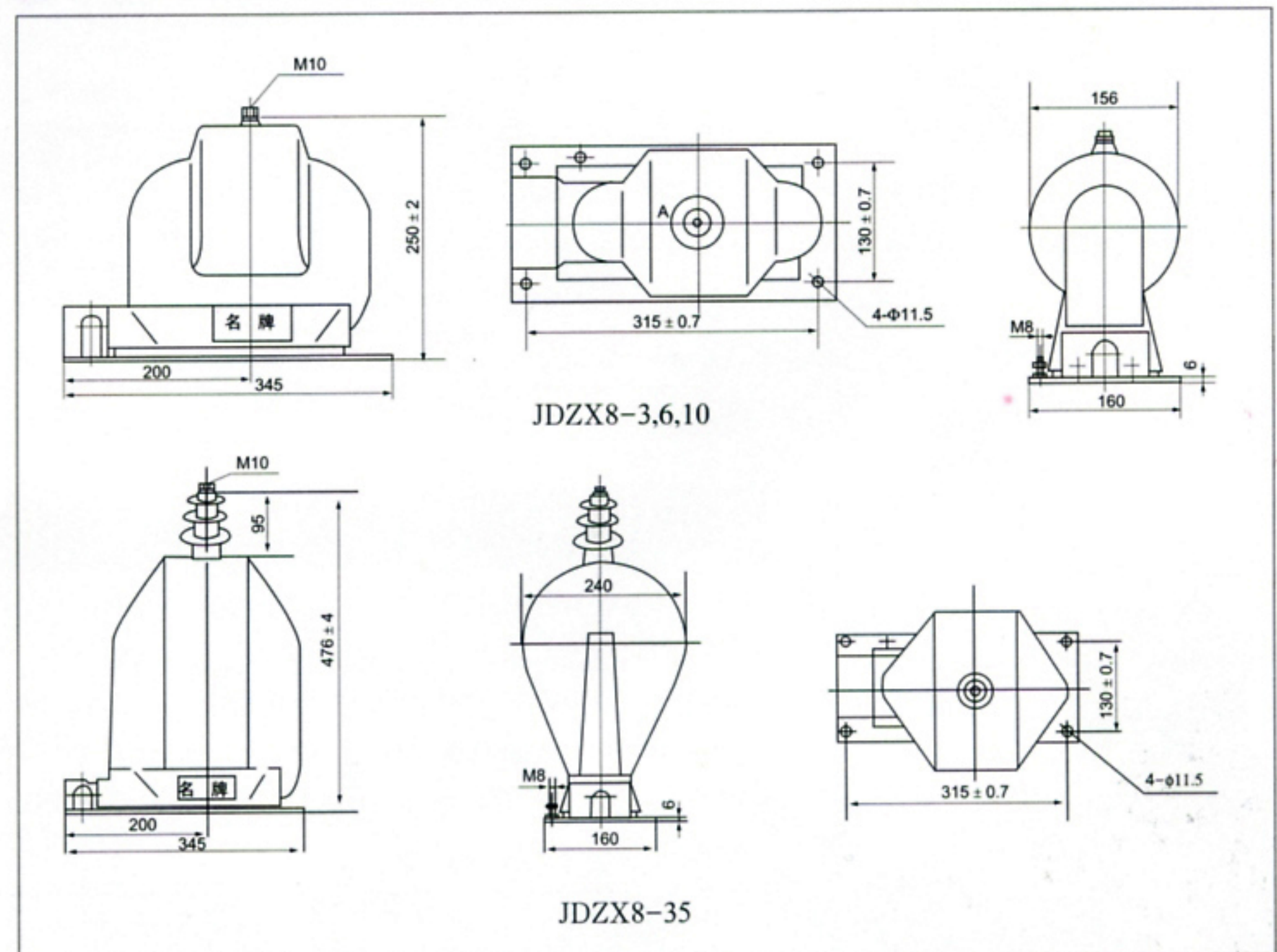
Table 3

Type	Highest operating voltage(r.m.s.) KV	Rated power frequency withstand voltage (1min.r.m.s.) KV	Rated impulse withstand voltage 1.2/50ms (peak) KV
JDZX8-3	3.5	24	40
JDZX8-6	6.9	32	60
JDZX8-10	11.5	42	75
JDZX8-35	40.5	95	200

Table 4

Type	Rated primary voltage (V)	Rated secondary voltage (V)	Rated voltage of residual winding (V)	Accuracy and rated output (VA)				Max. Output (VA)
				0.2	0.5	1	3	
JDZX8-3	$3000/\sqrt{3}$	$100/\sqrt{3}$	100/3	30	80	240	600	1000
JDZX8-6	$6000/\sqrt{3}$							
JDZX8-10	$11000/\sqrt{3}$							
JDZX8-35	$35000/\sqrt{3}$			60	120	360	1000	1800

JDZX8 Overall dimension



LB6-35 Transformers Outdoor Oil-insulated

The technical data

- 1.1 Rated voltage: 35kV
- 1.2 Maximum working voltage: 40.5kV.
- 1.3 Rated primary current: 5, 10, 15, 20, 30, 40, 50, 75,100,150, 200, 300, 400, 500, 600, 750, 800, 1000, 1200, 1500, 2000A.
- 1.4 Rated secondary current: 5A.