



JSJW-3.6,10 Voltage Transformer JSJW-6,10 Outdoor Indoor Oil Immersed Insulated

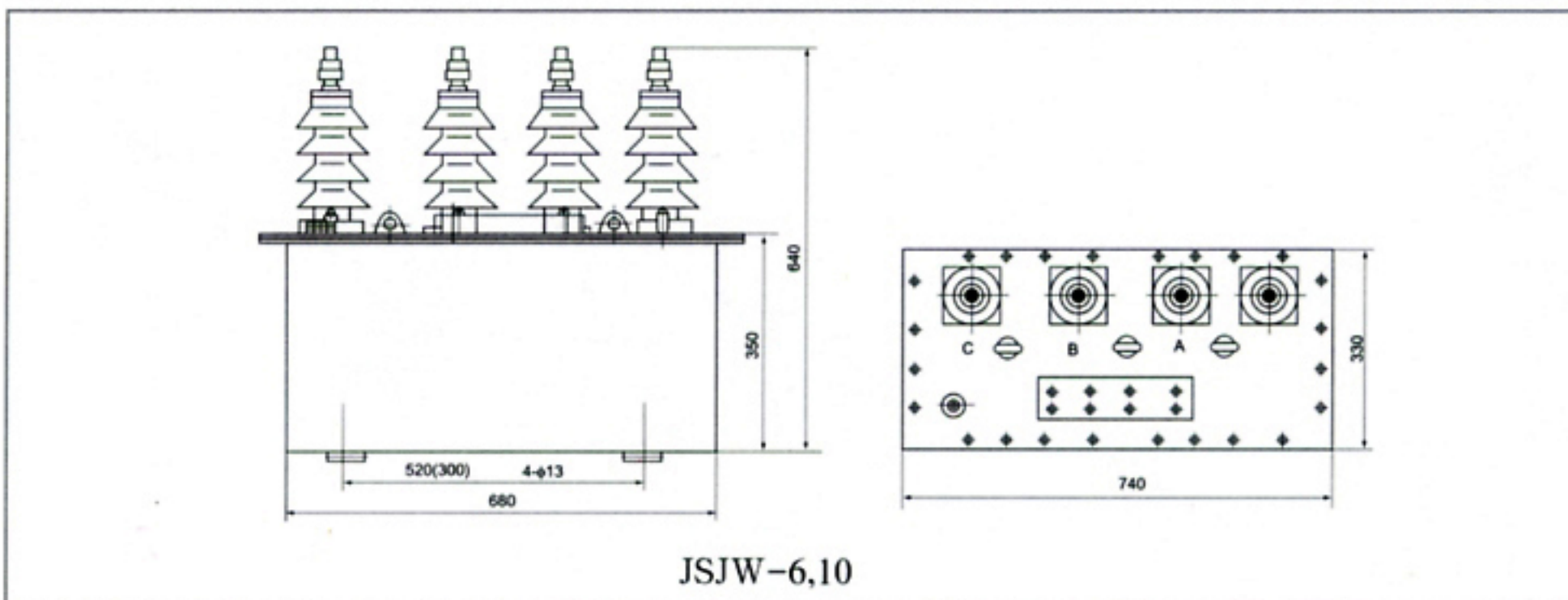
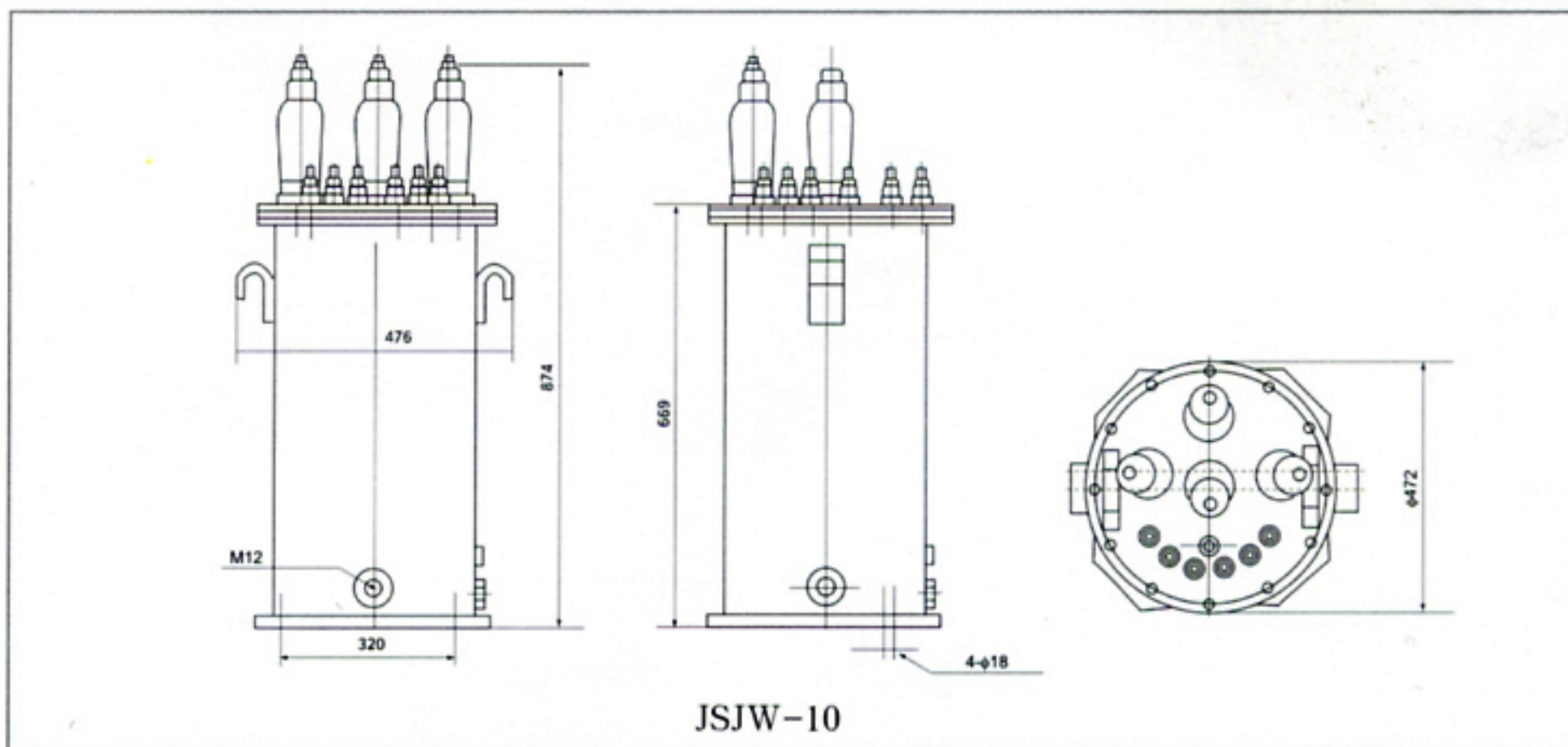
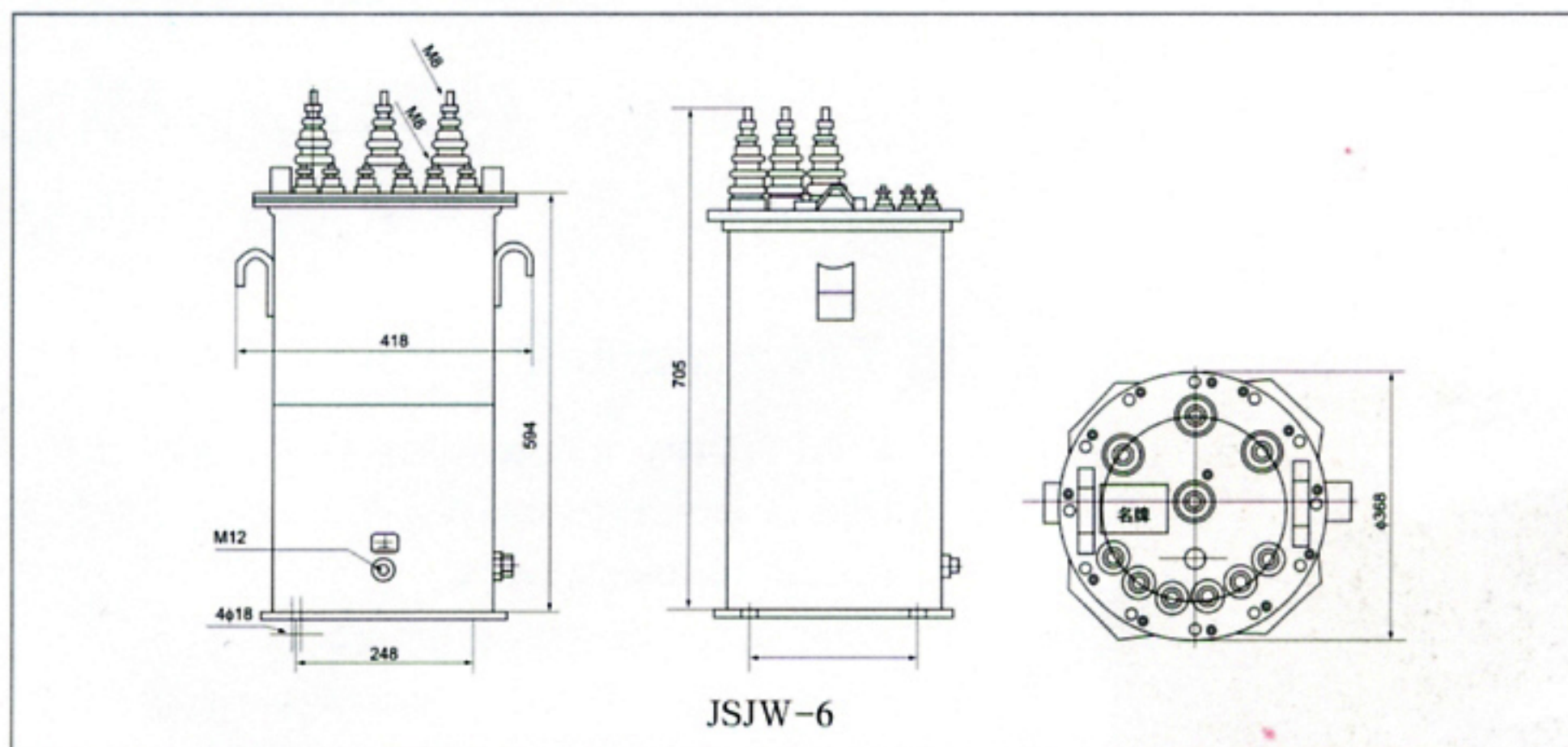
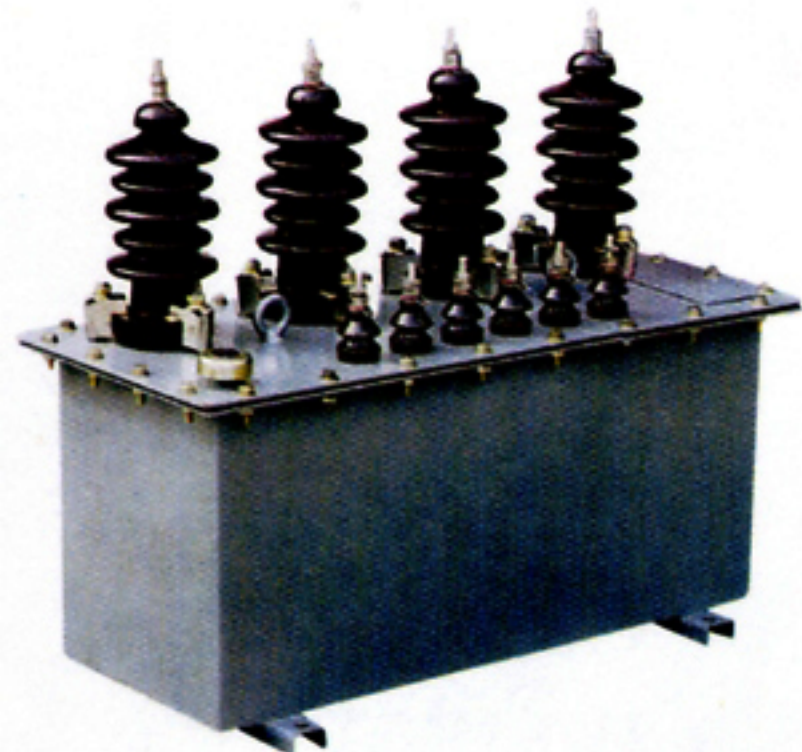
The technical data

1.1 Main technical data see table1.

1.2 Limited three-phase burden 120VA, accur-acy class 0.5 in circuit with measurement instrument.

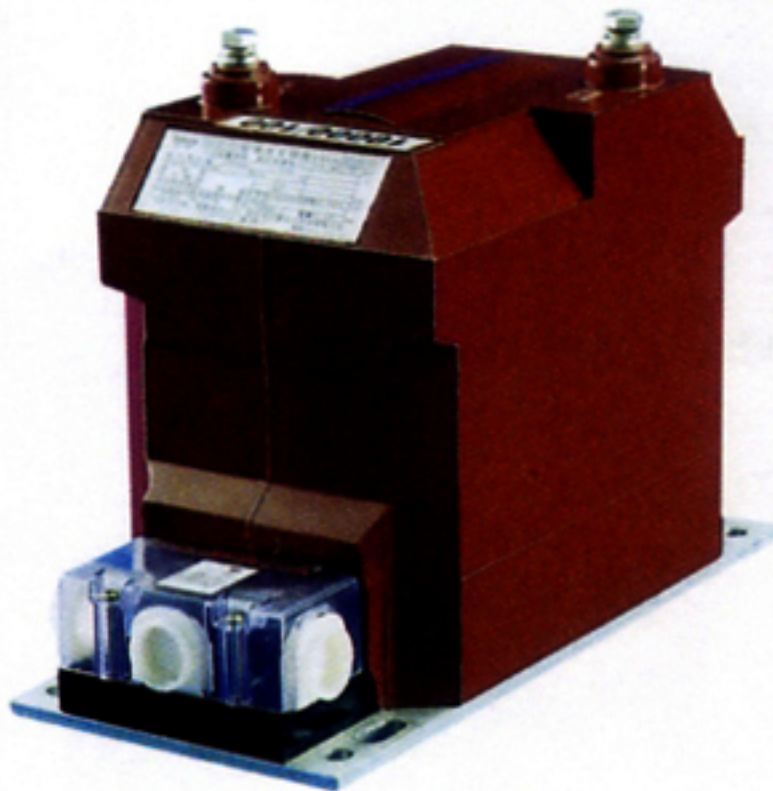
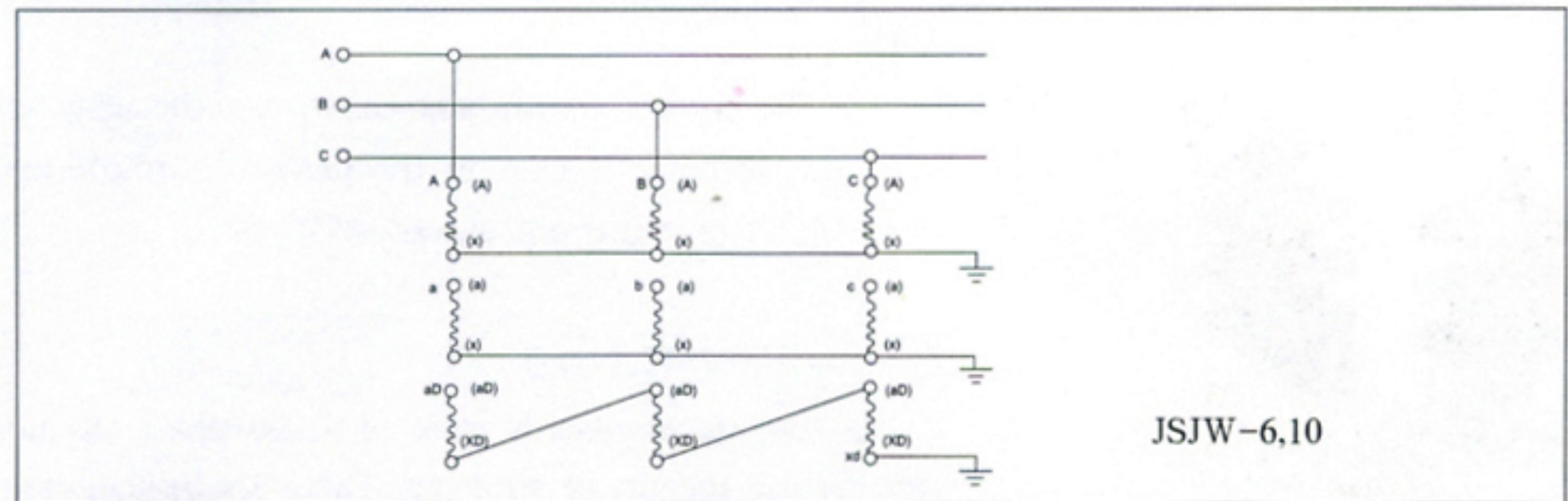
1.3 Voltage won't appear when no earthing fault between tap ad and xd which are form the secondary winding of poening delta-connection. Voltage 100V, current 2A 100% earthing fault happens.

Overall dimension



Type	Rated voltage ratio	Rated output			Max output voltage winding	Power frequency withstand voltage
		Class 0.5	Class 1	Class 3		
JSJW-3	$\frac{3000}{\sqrt{3}} / \frac{100}{\sqrt{3}} / \frac{100}{3}$	120	200	500	1000	32
JSJW-6	$\frac{6000}{\sqrt{3}} / \frac{100}{\sqrt{3}} / \frac{100}{3}$	120	200	500	1000	32
JSJW-10	$\frac{10000}{\sqrt{3}} / \frac{100}{\sqrt{3}} / \frac{100}{3}$	120	200	500	1000	32

Wiring diagram



RZL12 Voltage Transformer JDZ12-12 Indoor Cast-resin insulated

The technical data

Rated primary voltage (U_{1n}): 6,10kV

Highest service voltage (U_{1m}): 7.2,12kV

Rated secondary voltage: 0.1kV (can provide identical two secondary windings)

U_{1n} V	Class 0.2	Class 0.5	Class 1.0	Secondary thermal limiting output	U_1	$\cos \phi$
6000						
10000	15VA	30VA	60VA	350VA	(80%~120%) U_{1n}	0.8 or 0.5

Overall dimension

